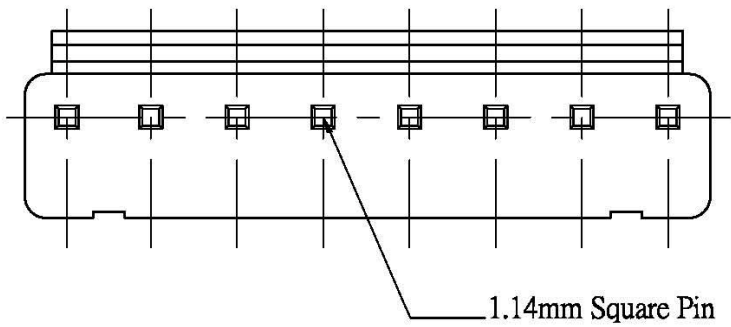


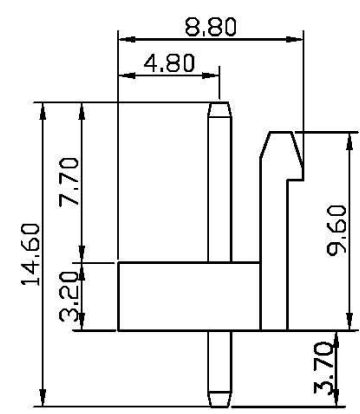
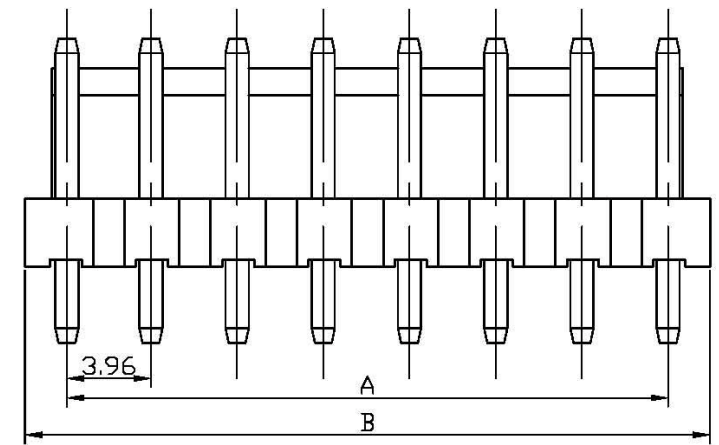
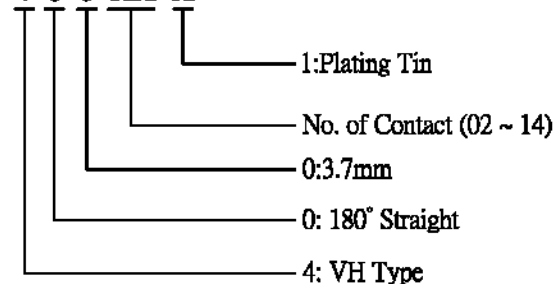
CUSTOMER COPY

REV.	DESCRIPTION	APP.	DATE
A	NEW DESIGN	Amos	2010-07-16



ORDER INFORMATION

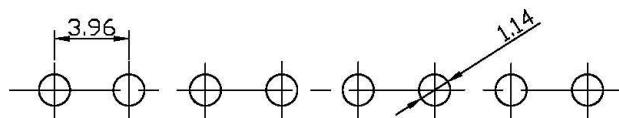
1241 4 0 0 XX X



Poles	Dimension mm (in.)	
	A	B
2	3.96 (0.156)	7.92 (0.312)
3	7.92 (0.312)	11.92 (0.469)
4	11.88 (0.468)	15.84 (0.624)
5	15.84 (0.624)	19.84 (0.781)
6	19.80 (0.780)	23.80 (0.937)
7	23.76 (0.935)	27.88 (1.098)
8	27.72 (1.074)	31.74 (1.250)
9	31.68 (1.247)	35.86 (1.412)
10	35.64 (1.403)	39.90 (1.571)
11	39.60 (1.559)	43.84 (1.726)
12	43.56 (1.715)	47.92 (1.887)
13	47.52 (1.871)	51.72 (2.036)
14	51.48 (2.027)	55.92 (2.202)

Specifications

Current Rating: 5A AC, DC
 Voltage Rating: 250V AC Maximum
 Operating Temp: -25°C ~ +85°C
 Contact Resistance: 10MΩ Max
 Insulation Resistance: 1000MΩ Min
 Terminal Material: Brass/Tin-plated
 Material: Nylon 66, UL94V-0



PCB LAYOUT COMPONENT SIDE



鈺滿榮企業股份有限公司 ACME LUX CO., LTD.
 TEL: 886-2-85124595 FAX: 886-2-85124322

0.0±0.50	Scale: 1:1	Title: Pitch 3.96mm (156") 180° DIP VH Type Wafer Connector	PART NO:
0.00±0.35	Unit: mm		APP BY: Hung
0.000±		Material: RoHS	CHK BY: Cheryl
		DWG. NO. C1241400XXX	DR BY: Amos